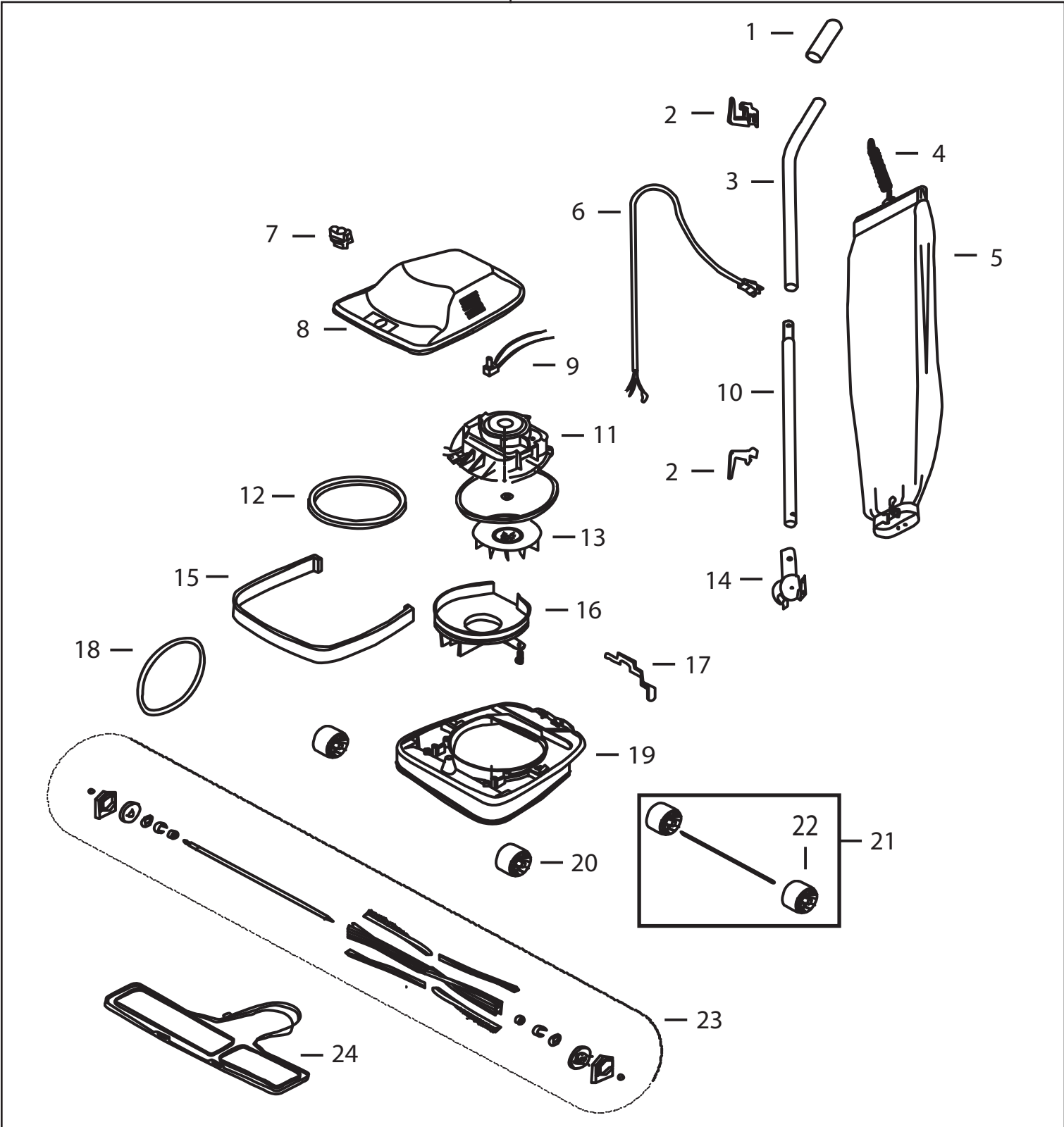




Bissell BigGreen Commercial  
ProTough Model BG100



**Bissell BigGreen Commercial**

ProTough Model BG100



KEY	PART NO	DESCRIPTION
1	1600500	Handle Grip, Straight
2	2037848	Cord Retainer Set
3	2038328	Handle Tube Assy Upper w/Handle Grip (does not come with nut & bolt)
4	2038330	Spring
5	2037857	Cloth Bag Twill
6	2037853	Cord Yellow, 50 FT
7	2038304	Height Adjustment Knob
8	2038301	Hood, Chrome w/Name Plate
9	2038312	Switch, Push
10	2038329	Handle Tube, Lower
11	2037828	Motor Assembly
12	2038313	Gasket, Motor
13	2037847	Fan
14	2038331	Handle Socket Assy w/ Spring
15	2038318	Bumper 12"
16	2038316	Cover, Fan Chamber
17	2038308	Foot Pedal
18	2037843	Belt
19	2038310	Base Assy 12" w/ magnet
20	2038321	Front Wheel (qty 1)
21	2037842	Rear Wheel & Axle Assembly
22	2038320	Rear Wheel (qty 1)
23	2038332	Brush Assembly Metal, 12"
24	2038336	Plate Assy, Bottom, 12"
xx	2038302	Bushing, Strain Relief
xx	2038303	Screw, Shoulder
xx	2038305	Air Inlet Duct (RH)
xx	2038307	Spring, Foot Pedal
xx	2038309	Spring, Hood
xx	2038314	Air Inlet Duct (LH)
xx	2038315	Spring, Adapter Retainer
xx	2038322	Carbon Motor Brush
xx	2038324	Base Assy, Motor
xx	2038333	Bristle Strip, 12"
xx	2038326	Rubber Cap Ends for all Rollers
xx	2038327	Fan Washer
xx	1600498	Nut & Bolt Set
xx	2038317	Magnet (qyt 1)

BISSELL Business Ventures, Inc.	Issued: February 2013 Revised: © 2013 BISSELL Homecare Inc.
---------------------------------	---